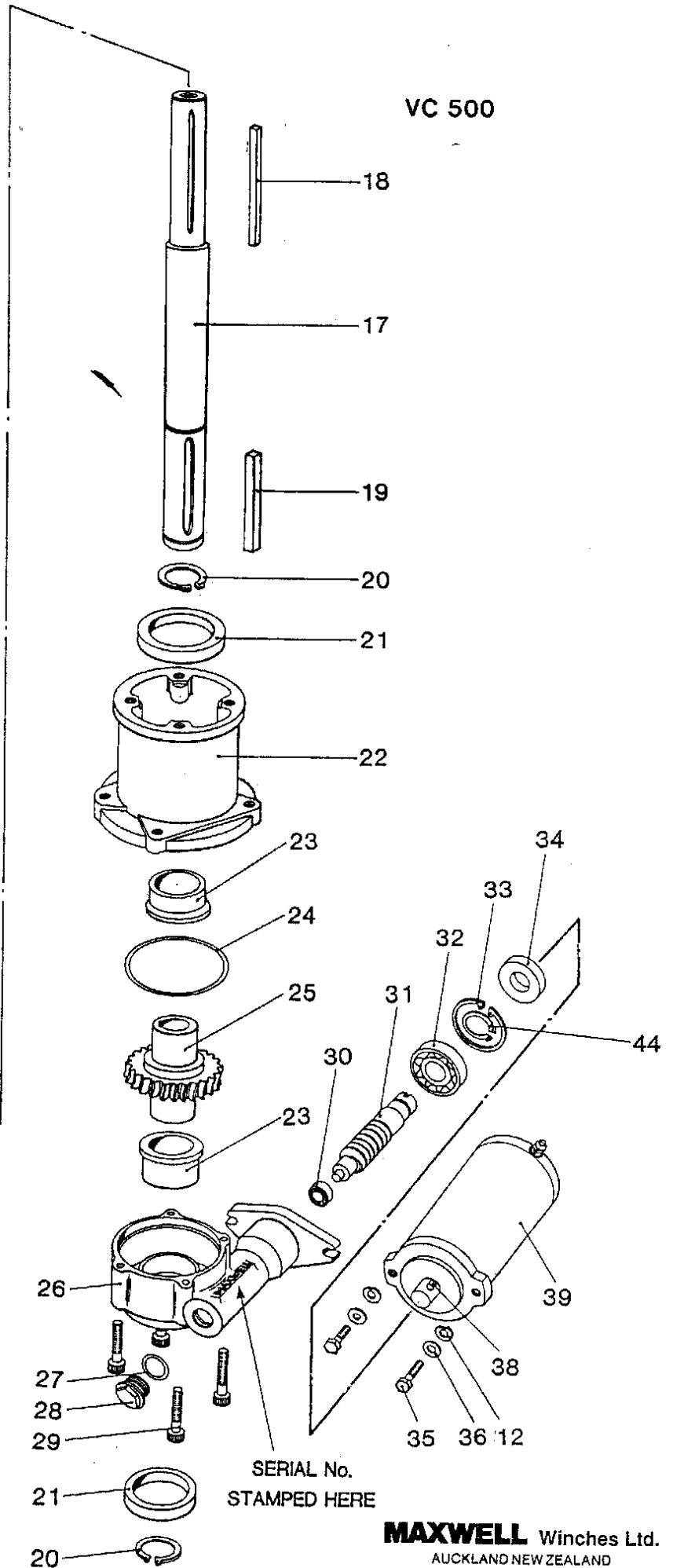
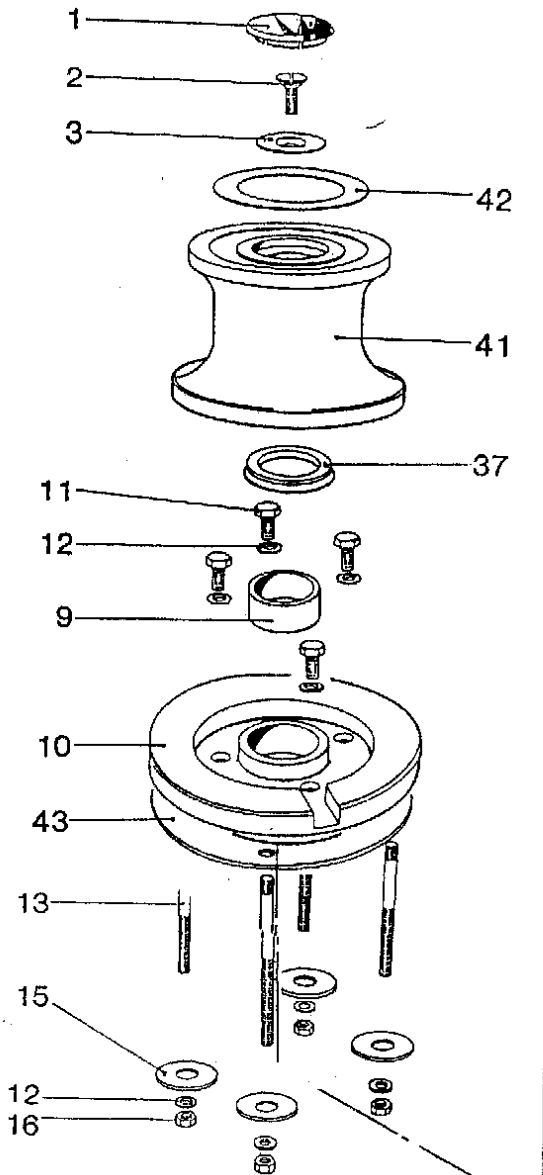


VC 500 ELECTRICB200630

ITEM	PART NO.	DESCRIPTION	QTY
1	D3386	CAP	1
2	SP40	SCREW	1
3	E3333	RETAINING WASHER	1
4	-		
5	-		
6	-		
7	-		
8	-		
9	SP660	BUSH	1
10	C3361	DECKPLATE	1
11	SP254	BOLT	4
12	SP467	WASHER	10
13A	E3367	STUD (2 1/4" TDC)	4
13B	E3419	STUD (4 1/4" TDC)	4
14	-		
15	E3625	WASHER	4
16	SP366	HEX NUT	4
17A	D3365	MAINSHAFT (2 1/4" TDC)	1
17B	D3415	MAINSHAFT (4 1/4" TDC)	1
18	E2051	KEY	1
19	E3315	KEY	1
20	SP848	CIRCLIP	2
21	SP724	SEAL	2
22A	C3334	SPACER TUBE (2 1/4" TDC)	1
22B	C3417	SPACER TUBE (4 1/4" TDC)	1
23	E3145	BUSH	2
24	SP726	'O' RING	1
25	D3397	WORMWHEEL	1
26	C3133	WORMBOX	1
27	SP720	'O' RING	1
28	D3223	SIGHT GLASS	1
29	SP159	SCREW	4
30	SP643	BEARING	1
31	D3400	WORM	1
32	SP642	BEARING	1
33	SP844	CIRCLIP	1
34	SP721	SEAL	1
35	SP288	BOLT	2
36	SP413	WASHER	2
37	SP738	V-25A RING SEAL	1
38	SP530	ROLL PIN	1
39A	P10068	MOTOR 12V	1
39B	P10069	MOTOR 24V	1
40	-		
41	E3359	DRUM	1
42	E3556	LABEL 500	
43	D3398	GASKET	1
44	SP838	CIRCLIP	1



VC 500

**MAXWELL** Winches Ltd.  
AUCKLAND NEW ZEALAND

B 200630